

MW-MLD-2835-2X-LENS



3-10 cm

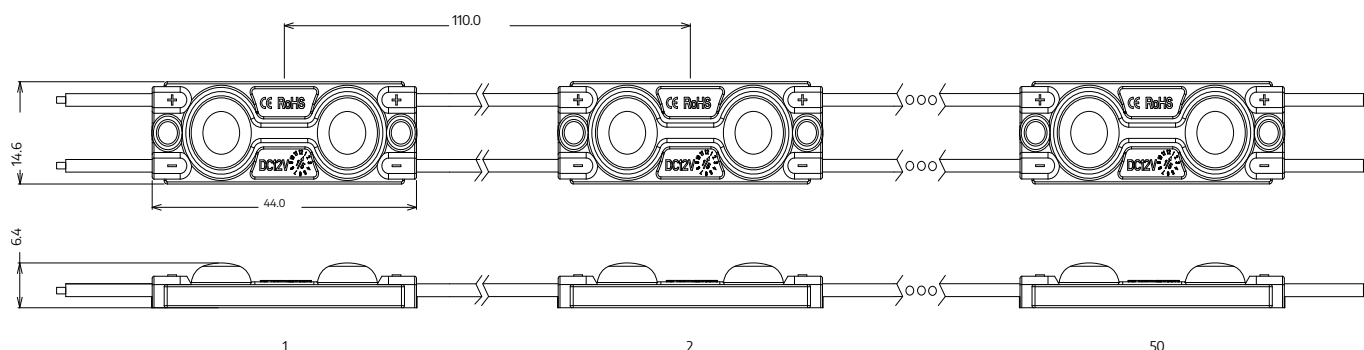
3D letters, lightboxes



- luminous efficacy 104 lm/W
- for indoor and outdoor use

- 50 pcs in chain

DIMENSIONS



MW-MLD-2835-2X-LENS



TECHNICAL SPECIFICATION

Parameter	Value
Rated voltage	12 V DC
Power consumption per module	0,48 W
Chain power consumption	24 W
Current consumption per module	40 mA
LED diodes	San'an led - 2835
Quantity of LEDs	2
Light color	X = WW - warm white (3000K) X = NW - neutral white (4000K) X = W - white (6500K) X = CW - cold white (12000K) X = R - red (620nm) X = G - green (520nm) X = B - blue (460nm)
Flux	50 lm (W, NW) 48 lm (WW, CW)
Flux density	104 lm/W (W, NW) 100 lm/W (WW, CW)
Color rendering index CRI	≥80 (on request ≥90, ≥95)
Beam angle	160°
Current stabilization	Yes
Dimming	Yes
Module dimensions (L × W × H)	44 × 15 × 7 mm
Cable length	65 mm
Number of modules in 1 m	9,2
Box weight	18 kg
Montage	Adhesive tape / mounting screw
Lifetime	L70B50 > 50000h
Working temperature	-25°C ... +55°C
IP protection	IP67
Warranty	5 years

MW-MLD-2835-2X-LENS



CONNECTION DIAGRAM

One-side power input



Maximum number of modules 50 pcs

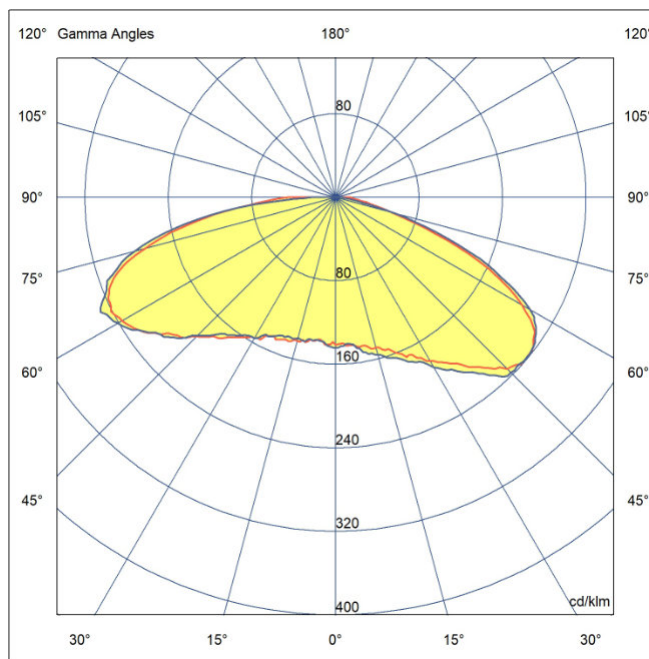
Two-side power input



Maximum number of modules 100 pcs

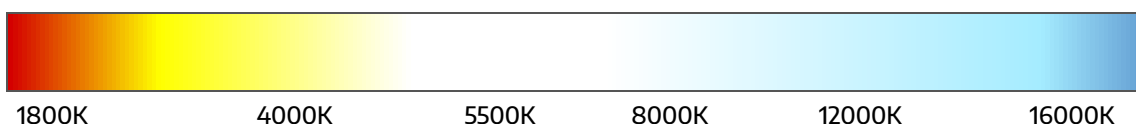
It is acceptable to connect multiple chains in parallel, as long as the power supply provides sufficient power.

BEAM ANGLE



LIGHT COLOR / CCT

Abbreviation	Light color	CCT
WW	warm white	~3000K
NW	neutral white	~4000K
W	white	~6500K
CW	cold white	~12000K



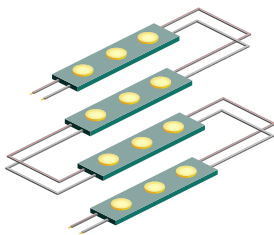
MW-MLD-2835-2X-LENS



TABLE OF SELECTION OF MODULES TO DEPTH OF CASSETTE

Depth	Light intensity	Distance between the centres of the modules	Distance between rows	Pieces / m ²	Power / m ²
30 mm	2000-13000 lx	50 mm	45 mm	380 pcs	182 W/m ²
40 mm	8800-9100 lx	60 mm	60 mm	256 pcs	123 W/m ²
50 mm	6000-6300 lx	70 mm	70 mm	196 pcs	94 W/m ²
60 mm	4600-4800 lx	80 mm	80 mm	144 pcs	69 W/m ²
70 mm	3400-3600 lx	90 mm	90 mm	110 pcs	53 W/m ²
80 mm	2700-2900 lx	110 mm	110 mm	90 pcs	43 W/m ²
90 mm	2400-2600 lx	110 mm	110 mm	90 pcs	43 W/m ²
100 mm	1300-1400 lx	110 mm	110 mm	90 pcs	43 W/m ²

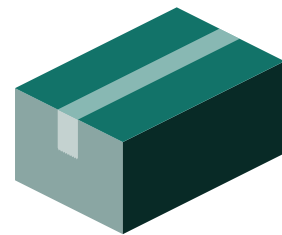
PACKING



Chain
50 pcs



Bag
200 pcs



Box
3200 pcs

OTHER NOTES

The 3M tape placed on the device is only used to pre-attach and position the LED modules. Use your own glue or mounting screw to securely and permanently attach the item to the surface.